

advantage

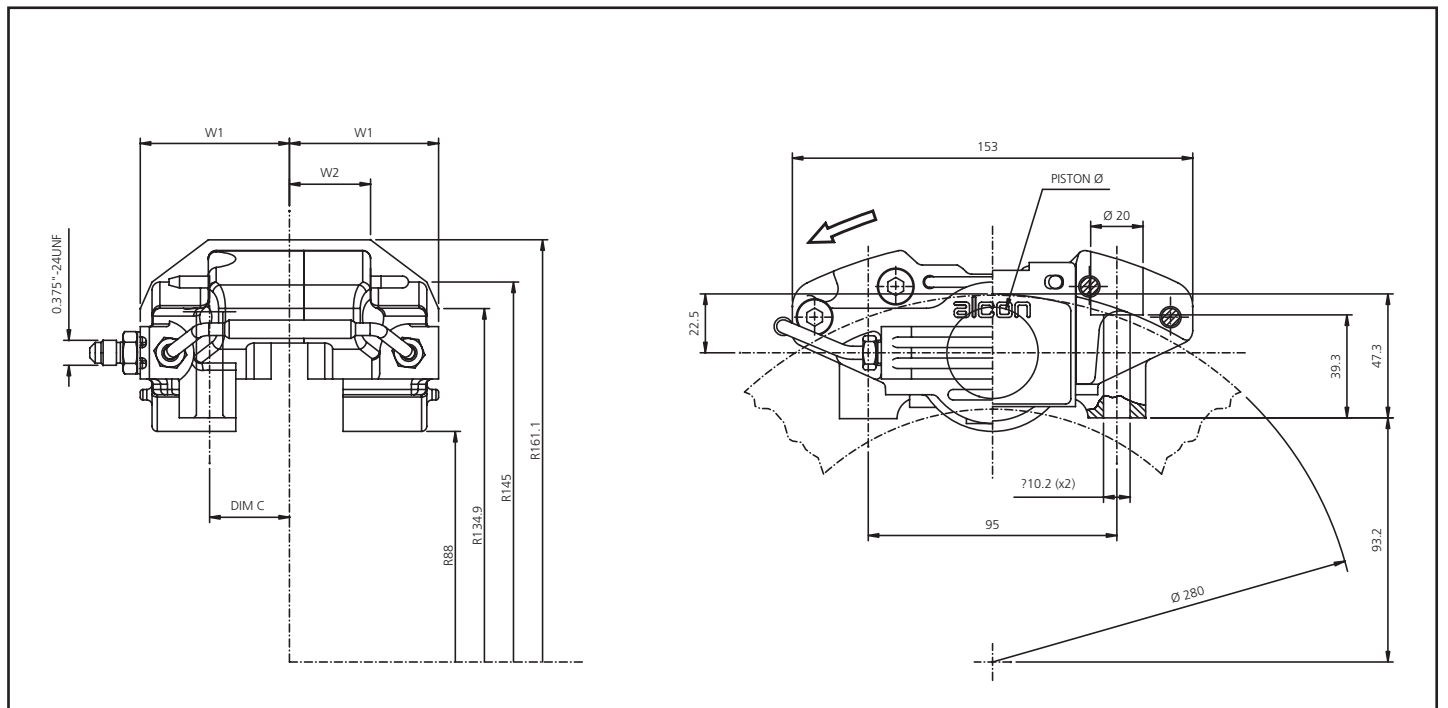
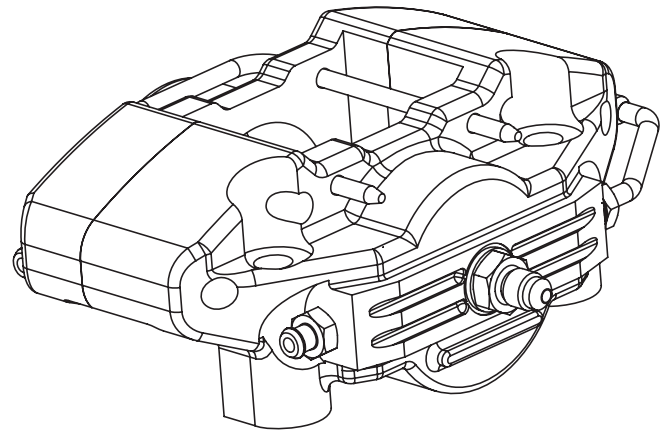
2 piston radial mount R-type caliper

PRODUCT REF

| | |
|----------------|----------------|
| CRR280/11-35LL | CRR280/25-44LL |
| CRR280/11-35RL | CRR280/25-44RL |
| CRR280/11-35LT | CRR280/25-44LT |
| CRR280/11-35RT | CRR280/25-44RT |

KEY FEATURES AND BENEFITS

- **Radial mounting for maximum rigidity**
Firm, consistent pedal
- **Made from aerospace grade aluminium alloy**
High strength to weight ratio
- **Uses popular R-type pad shape**
Wide range of friction materials available
- **Quick release pad retaining clip**
- **High temperature EPDM seal material**
Optimum piston control



| SPECIFICATION | 280/11 | 280/25 | MOUNTING DETAILS | 280/11 | 280/25 | PAD REFERENCES | |
|--------------------|---------------------------|---------------------------|------------------|--------|--------|------------------|-------------------|
| piston diameter | 34.9 | 44.5 | piston diameter | 34.9 | 44.5 | Alcon | RC3451XSP |
| disc diameter | 250-280 | 250-280 | DIM C | 30.5 | 38.5 | Carbone Lorraine | 5002W43 / 5002W48 |
| disc thickness | 9.6-11.1 | 22.9-25.4 | W1 | 57.0 | 65 | Ferodo | FCP809 / FCP810 |
| caliper weight | 1.30 kg | 1.35 kg | W2 | 31.0 | 39 | Hawk | HB118 / HB175 |
| pad area | 49.8 / 56 cm ² | 49.8 / 56 cm ² | | | | Mintex | MGB533 / MGB535 |
| pad thickness | 14 | 14 | | | | Pagid | U3102 / U3190 |
| | | | | | | SBS | 3060 |
| seal kit reference | CSK35E900 | CSK45E751 | | | | | |